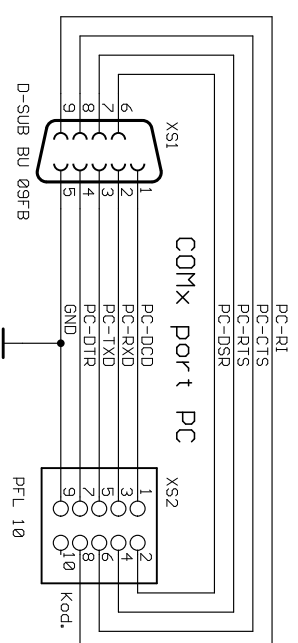
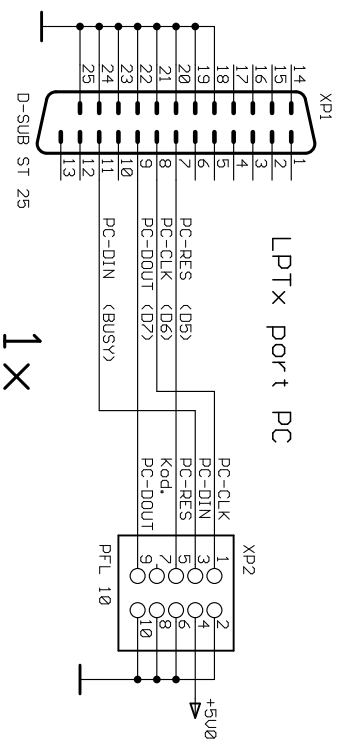


# Debug Flash cables for AT89C8252

1X target <=> debug print 10pol. 1:1



3X cables

Klaus Toscher    Tel. +49 6442 24305	
Mainbachstr. 16    35606 Solms	
TITLE: DebugFlashCable    created by: KTO	
Document Number: Debug/Flash Cables	REV: 1.0
Date: 18.06.2003 11:20:04	Sheet: 1/1